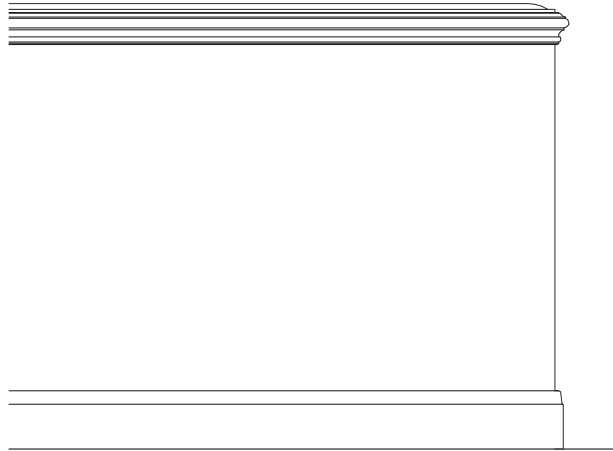
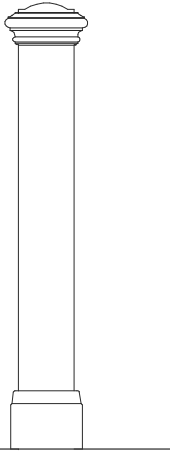


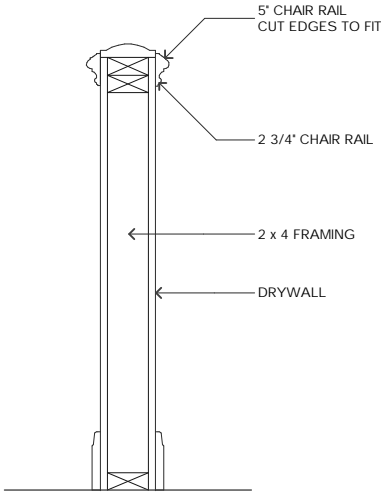
TOP VIEW



SIDE VIEW



FACE VIEW



SECTION

HALF WALL DETAILS

NO	DATE	ISSUE DESCRIPTION
1		
2		
3		
4		
5		
6		



**H o m e s c a p e**  
 d e s i g n g r o u p  
 6250 Jupiter Avenue, Suite B  
 Belmont, NJ 49306  
 www.homescapecommunities.com

LICENSE AGREEMENT No.: 00001  
 © HOMESCAPE COMMUNITIES, 2006

HALF  
 WALL  
 DETAILS  
 "SHINGLE STYLE"

NOT TO SCALE

S1.14a